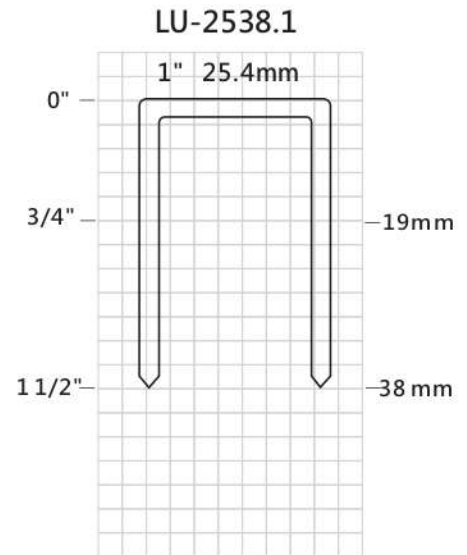


LU-2538.1

Staplers

16 GA Wide Crown Stapler, Bostitch BCS(16 S2)



▲ Features

- Patented Quick Release Nose Cover
- 360° Adjustable Air Deflector
- Comfortable rubber Grip
- Sequential Fire Trigger Available (#34903501A)

▲ Applications

- Roofing, Sheathing, Wire Lathe
- Framing, Window & Door Manufacturing
- Pre-Fabricated Housing, Trusses
- Pallets, Crating

▲ Fasteners

- Compatible with Bostitch BCS(16 S2), Complete BCS(16 S2)
- \varnothing .063 x .055" / 1.6 x 1.4 mm

▲ Tool Specifications

| Weight | Dimensions (L x W x H) | Operating Pressure | Load Capacity |
|---------|------------------------|--------------------------|---------------|
| 2.4 kgs | 359 x 70 x 257 mm | 6-8 kg / cm ² | 160 staples |
| 5.3 lbs | 14.13 x 2.75 x 10.12" | 85-110 psi | 160 staples |



APACH INDUSTRIAL CO., LTD.

176 Industrial 9th Rd., Tali Dist., Taichung City, Taiwan 41280

Tel +886 4 2491 5576 Fax +886 4 2491 5580

www.apach.com.tw

